

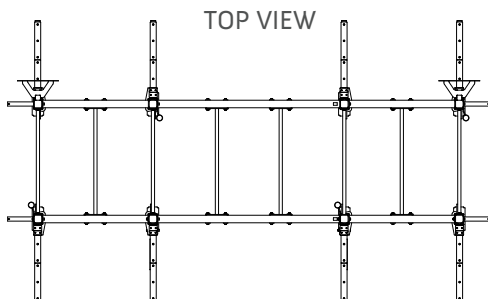


## X-RACK PACKAGES



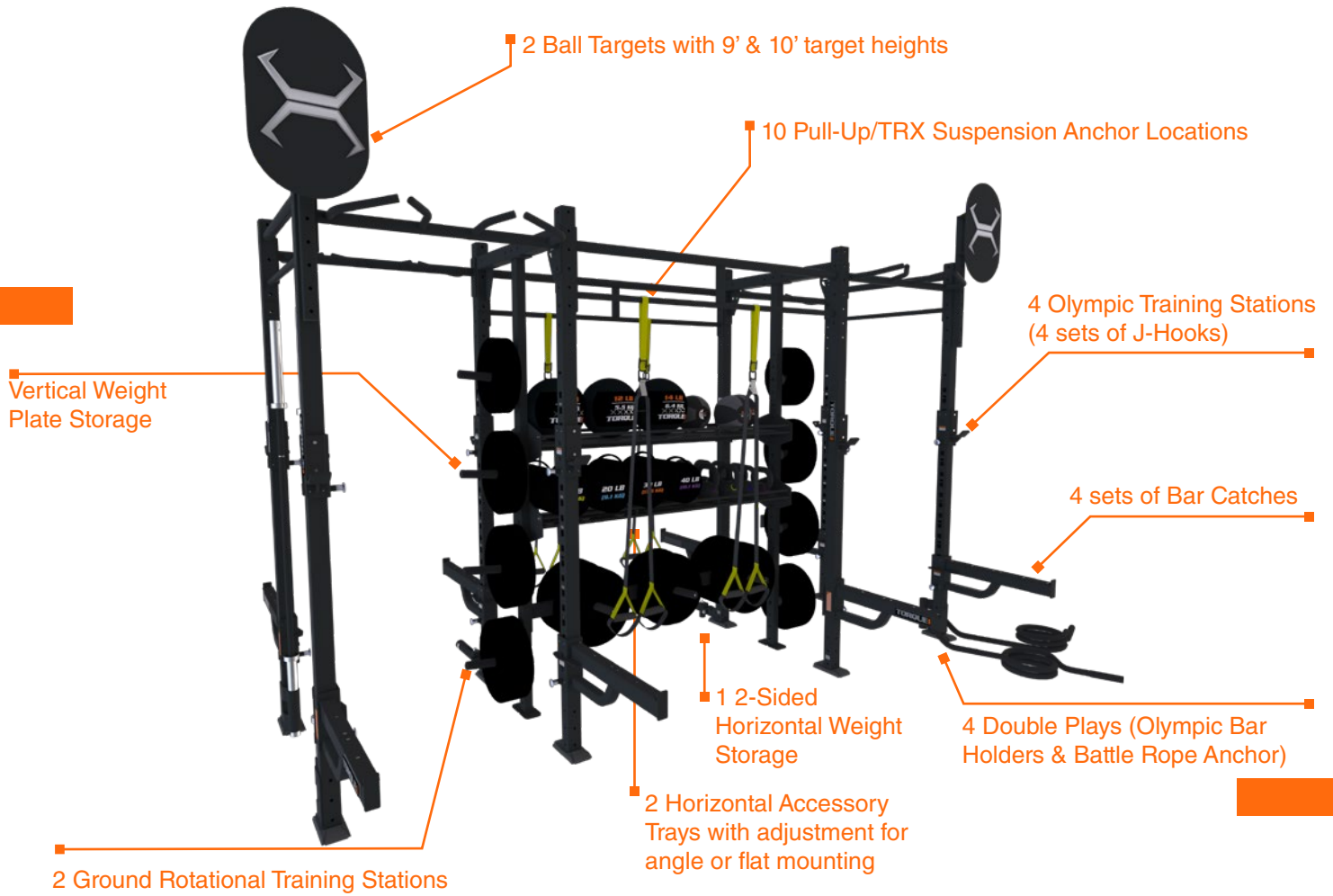


Model number	XRMB-4-14-X1
Footprint	168.9" x 53.5" (429 cm x 136 cm)
Height	Frame: 107.1" (272 cm) Ball Target: 126.7" (322 cm)
Minimum Required Live Area	19' x 12' (5.8 m x 3.7 m)
Upright Height Options	9 ft (XRACK-9U) Standard; Optional 8 ft (XRACK-8U)
Upright Color Options	Storm Grey, High Wear Red, Blue, Orange, and Platinum
Warranty	10 year frame and welds/1 year parts/90 days misc.



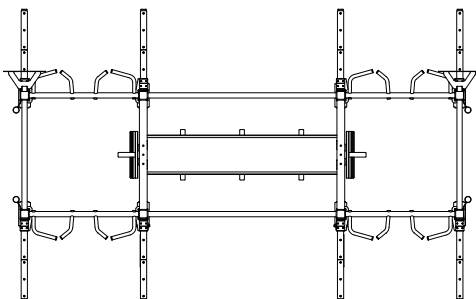
Note: Accessories shown are not included; X-Racks are required to be bolted to a concrete sub-floor.

**DON'T QUIT.  
EVER.™**



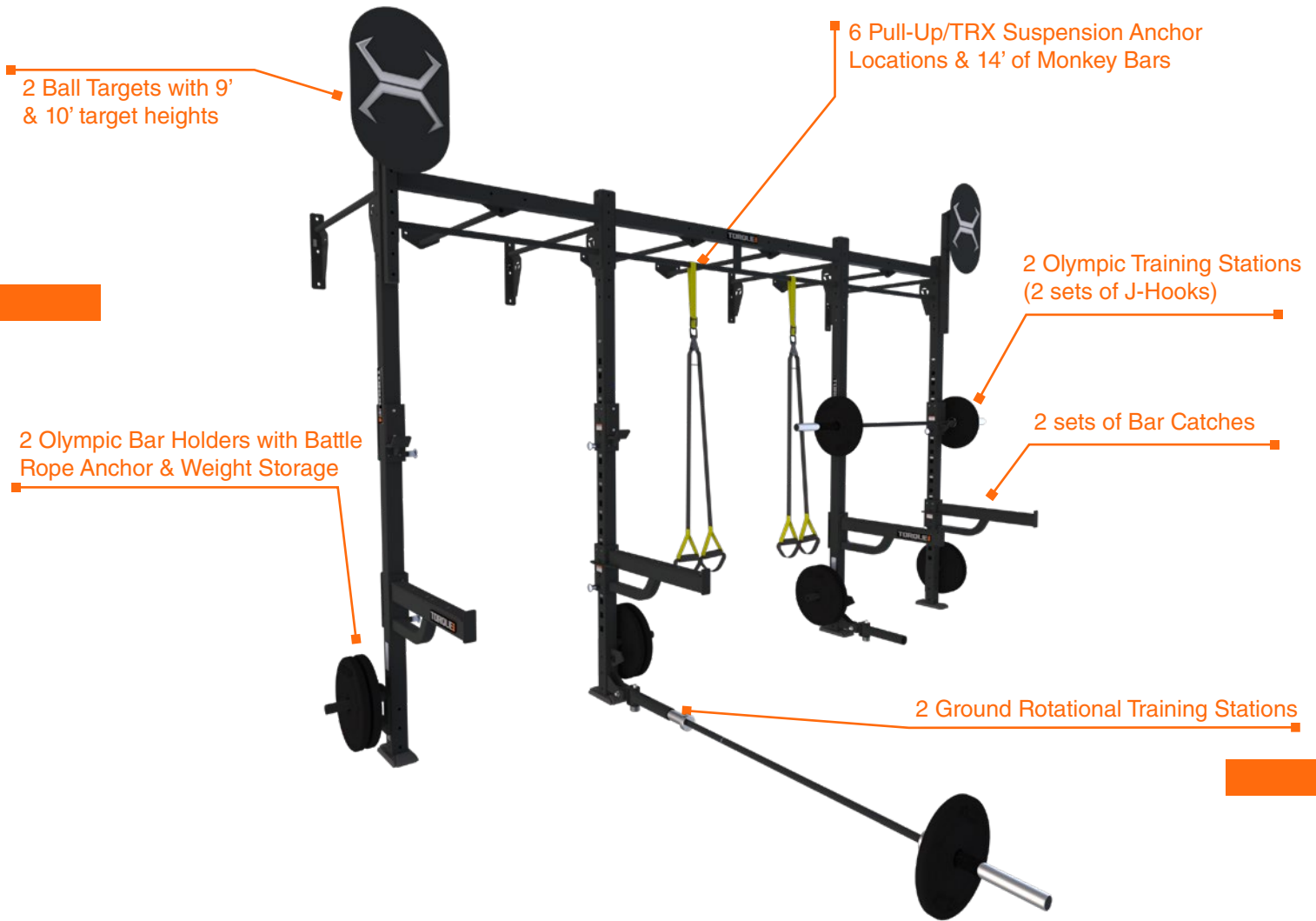
Model number	XRS-4-14-X1
Footprint	168.9" x 53.5" (429 cm x 136 cm)
Height	Frame: 107.1" (272 cm) Ball Target: 126.7" (322 cm)
Minimum Required Live Area	19' x 12' (5.8 m x 3.7 m)
Upright Height Options	9 ft (XRACK-9U) Standard; Optional 8 ft (XRACK-8U)
Upright Color Options	Storm Grey, High Wear Red, Blue, Orange, and Platinum
Warranty	10 year frame and welds/1 year parts/90 days misc.

TOP VIEW



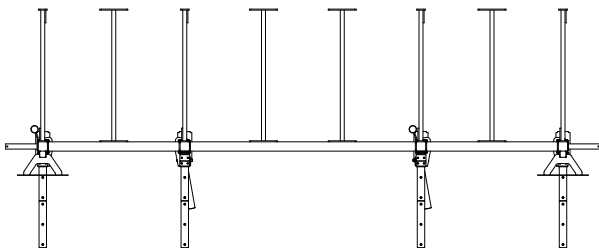
Note: Accessories shown are not included; X-Racks are required to be bolted to a concrete sub-floor

**DON'T QUIT.  
EVER.™**



Model number	XRMBWM-4-14-X1
Footprint	168.9" x 47.8" (429 cm x 121 cm)
Height	Frame: 107.1" (272 cm) Ball Target: 126.7" (322 cm)
Minimum Required Live Area	19' x 8' (5.8 m x 2.4 m)
Upright Height Options	9 ft (XRACK-9U) Standard; Optional 8 ft (XRACK-8U)
Upright Color Options	Storm Grey, High Wear Red, Blue, Orange, and Platinum
Warranty	10 year frame and welds/1 year parts/90 days misc.

TOP VIEW



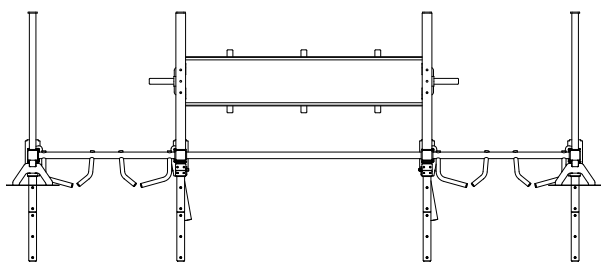
Note: Accessories shown are not included; X-Racks are required to be bolted to a concrete sub-floor

**DON'T QUIT.  
EVER.™**



Model number	XRSWM-4-14-X1
Footprint	168.9" x 47.8" (429 cm x 121 cm)
Height	Frame: 107.1" (272 cm) Ball Target: 126.7" (322 cm)
Minimum Required Live Area	19' x 8' (5.8 m x 2.4 m)
Upright Height Options	9 ft (XRACK-9U) Standard; Optional 8 ft (XRACK-8U)
Upright Color Options	Storm Grey, High Wear Red, Blue, Orange, and Platinum
Warranty	10 year frame and welds/1 year parts/90 days misc.

TOP VIEW



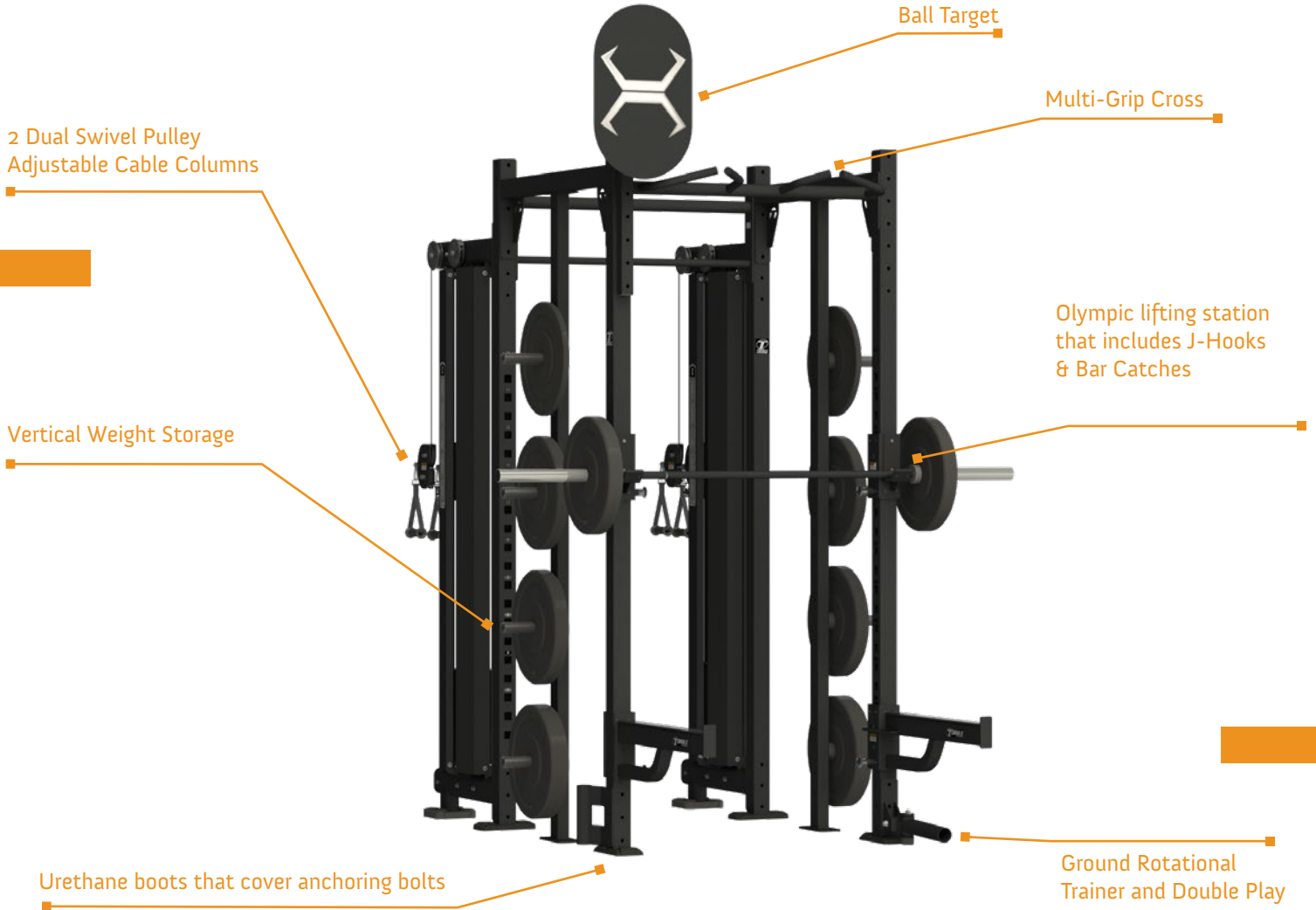
Note: Accessories shown are not included; X-Racks are required to be bolted to a concrete sub-floor

**DON'T QUIT.  
EVER.™**

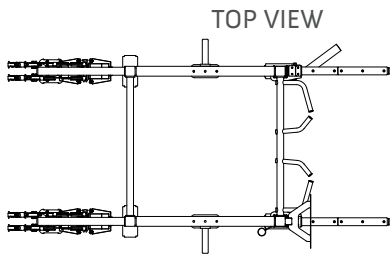


# 4 X 4 STORAGE CABLE

X1 PACKAGE



Model number	XRSC-4-4-X1
Footprint	76.2" x 53.5" (193 cm x 136 cm)
Height	Frame: 107.1" (272 cm) Ball Target: 126.7" (322 cm)
Minimum Required Live Area	16.5' x 9' (5.0 m x 2.7 m)
Warranty	10 year frame and welds/1 year parts/90 days misc.



Note: Accessories shown are not included; X-Racks are required to be bolted to a concrete sub-floor





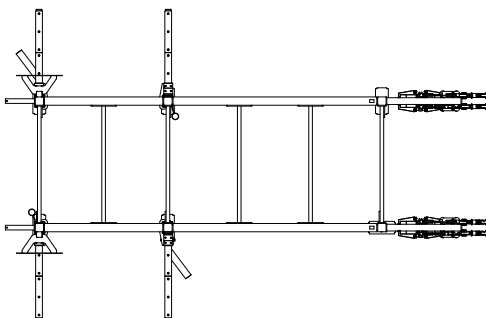
# 10 x 4 MONKEY BAR CABLE

X1 PACKAGE



Model number	XRMB-4-10-X1
Footprint	148.4" x 53.5" (377 cm x 136 cm)
Height	Frame: 107.1" (272 cm) Ball Target: 126.7" (322 cm)
Minimum Required Live Area	22' x 12' (6.8 m x 3.7 m)
Warranty	10 year frame and welds/1 year parts/90 days misc.

TOP VIEW



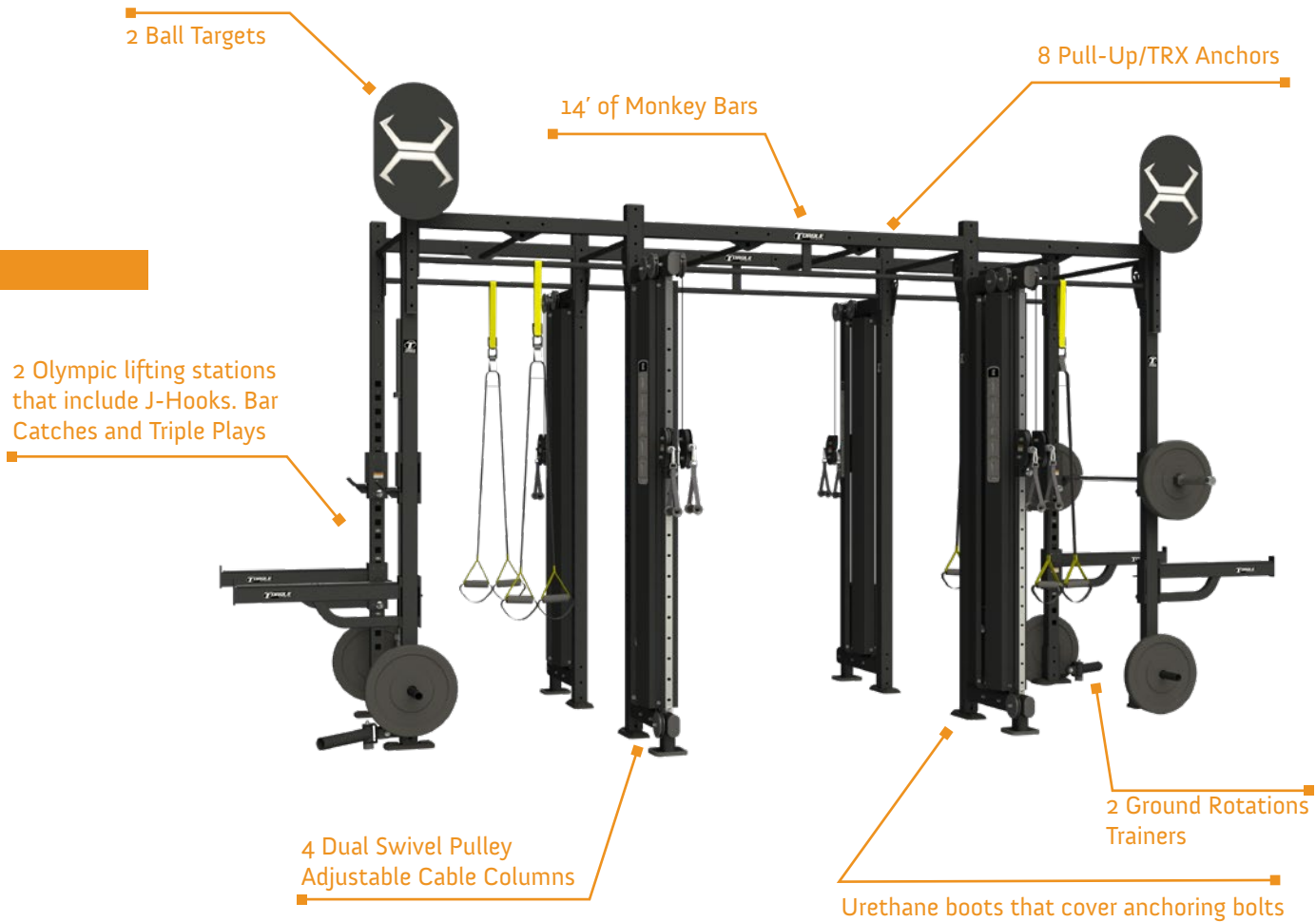
Note: Accessories shown are not included; X-Racks are required to be bolted to a concrete sub-floor





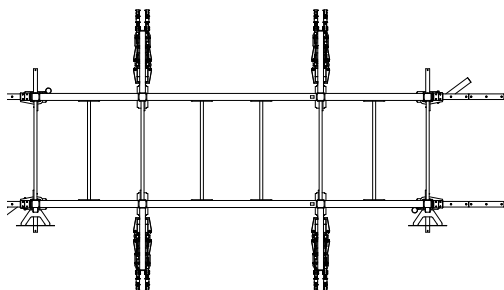


# 14 X 4 MONKEY BAR CABLE X1 PACKAGE



Model number	XRMB-4-14-X1
Footprint	173.5" x 98.8" (441 cm x 251 cm)
Height	Frame: 107.1" (272 cm) Ball Target: 126.7" (322 cm)
Minimum Required Live Area	22.5' x 18.2' (6.8 m x 5.6 m)
Warranty	10 year frame and welds/1 year parts/90 days misc.

TOP VIEW



Note: Accessories shown are not included; X-Racks are required to be bolted to a concrete sub-floor





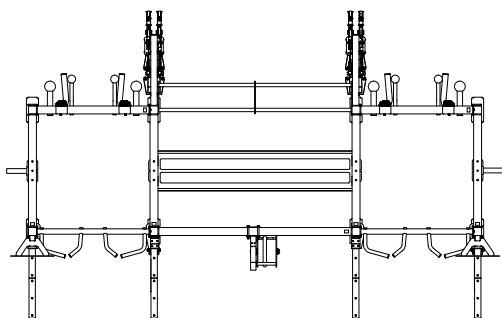


# 14 X 4 STORAGE CABLE X1 PACKAGE



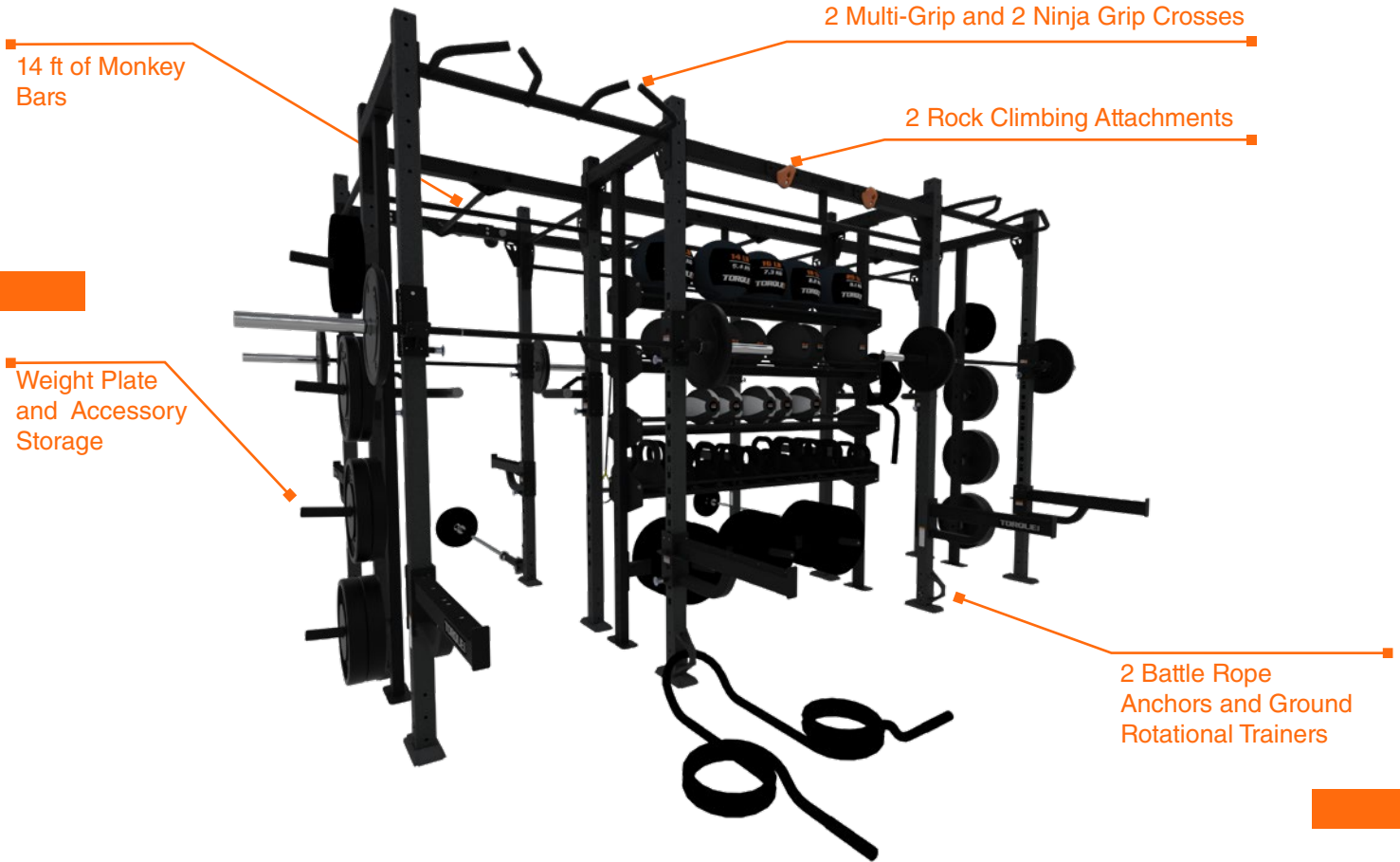
Model number	XRSC-4-14-X1
Footprint	168.9" x 76.2" (429 cm x 194 cm)
Height	Frame: 107.1" (272 cm) Ball Target: 126.7" (322 cm)
Minimum Required Live Area	19.1' x 15.3' (5.8 m x 4.7 m)
Warranty	10 year frame and welds/1 year parts/90 days misc.

TOP VIEW



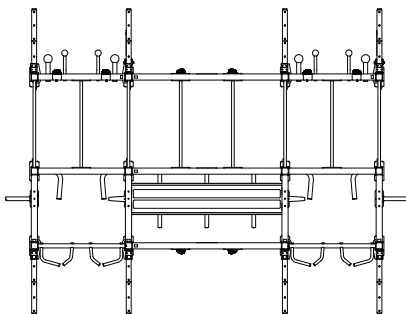
Note: Accessories shown are not included; X-Racks are required to be bolted to a concrete sub-floor





Model number	XRMB5-7-14-X1
Footprint	168.9" x 89.3" (429 cm x 227 cm)
Height	Frame: 107.1" (272 cm) Ball Target: 126.7" (322 cm)
Minimum Required Live Area	19' x 15' (5.8 m x 4.6 m)
Upright Height Options	9 ft (XRACK-9U) Standard; Optional 8 ft (XRACK-8U)
Upright Color Options	Storm Grey, High Wear Red, Blue, Orange, and Platinum
Warranty	10 year frame and welds/1 year parts/90 days misc.

TOP VIEW



Note: Accessories shown are not included; X-Racks are required to be bolted to a concrete sub-floor

**DON'T QUIT.  
EVER.™**



# 24 X 4 STORAGE WALL MOUNT

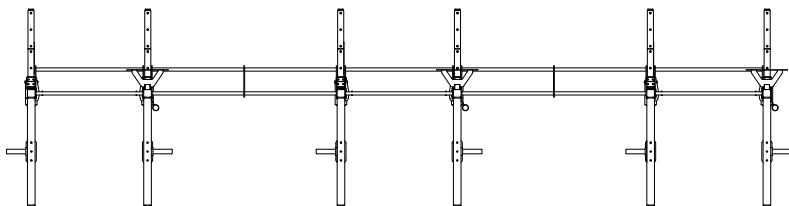
A2 PACKAGE



3 Olympic Lifting complete with bar catches, ground rotational trainers, J-Hooks, vertical weight storage, and double plays (bar storage/battle rope anchor)

Model number	XRSWM-4-24-A2
Footprint	288.9" x 47.8" (734 cm x 121 cm)
Height	Frame: 107.1" (272 cm) Ball Target: 126.7" (322 cm)
Minimum Required Live Area	29' x 8' (8.8 m x 2.4 m)
Warranty	10 year frame and welds/1 year parts/90 days misc.

### TOP VIEW

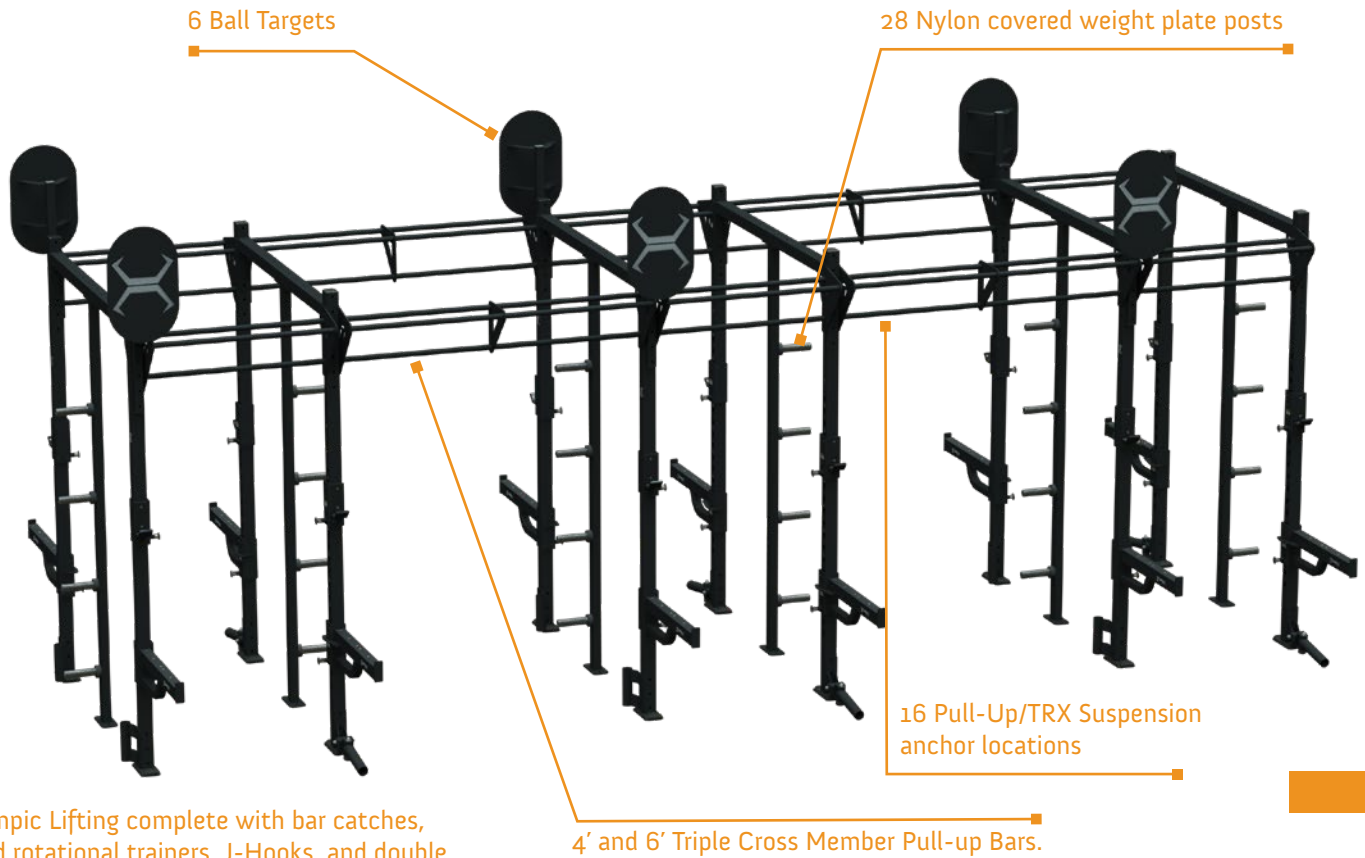


Note: X-Racks are required to be bolted to a concrete sub-floor





# 24 X 6 STORAGE A2 PACKAGE

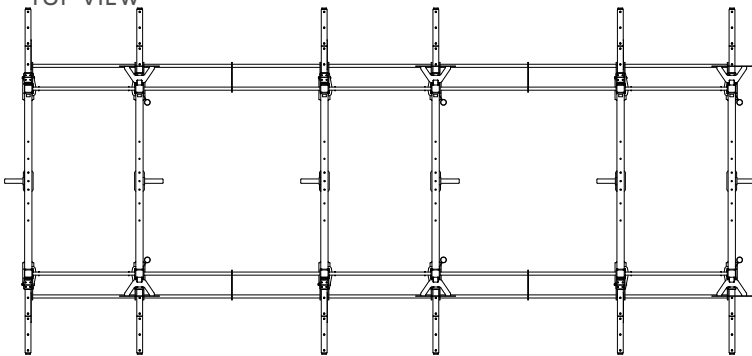


6 Olympic Lifting complete with bar catches, ground rotational trainers, J-Hooks, and double plays (bar storage & battle rope anchor)

4' and 6' Triple Cross Member Pull-up Bars.

Model number	XRS-6-24-A2
Footprint	288.9" x 83.4" (734 cm x 212 cm)
Height	Frame: 107.1" (272 cm) Ball Target: 126.7" (322 cm)
Minimum Required Live Area	29' x 15' (8.8 m x 4.6 m)
Warranty	10 year frame and welds/1 year parts/90 days misc.

TOP VIEW

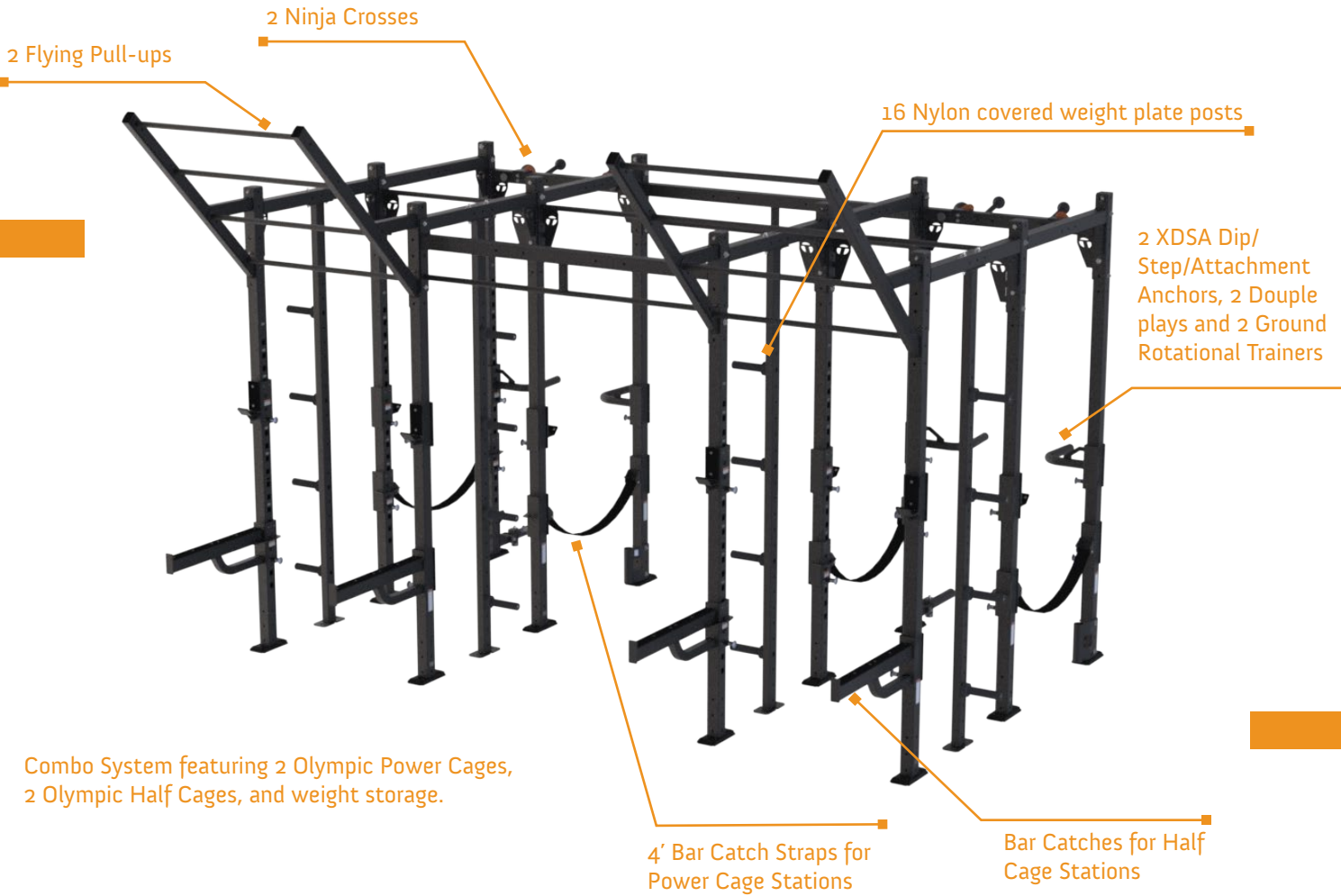


Note: X-Racks are required to be bolted to a concrete sub-floor





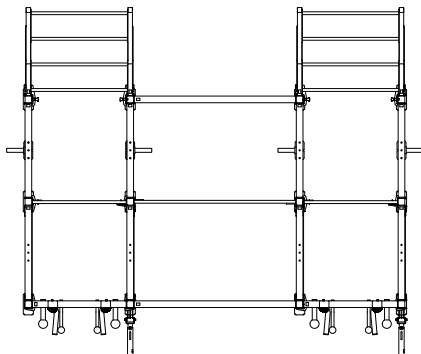
# 14 X 8 STORAGE A1 PACKAGE



Combo System featuring 2 Olympic Power Cages, 2 Olympic Half Cages, and weight storage.

Model number	XRS-8-14-A1
Footprint	169.0" x 98.7" (429 cm x 251 cm)
Height	Frame: 127.6" (324 cm)
Minimum Required Live Area	19' x 16' (5.8 m x 4.9 m)
Warranty	10 year frame and welds/1 year parts/90 days misc.

TOP VIEW



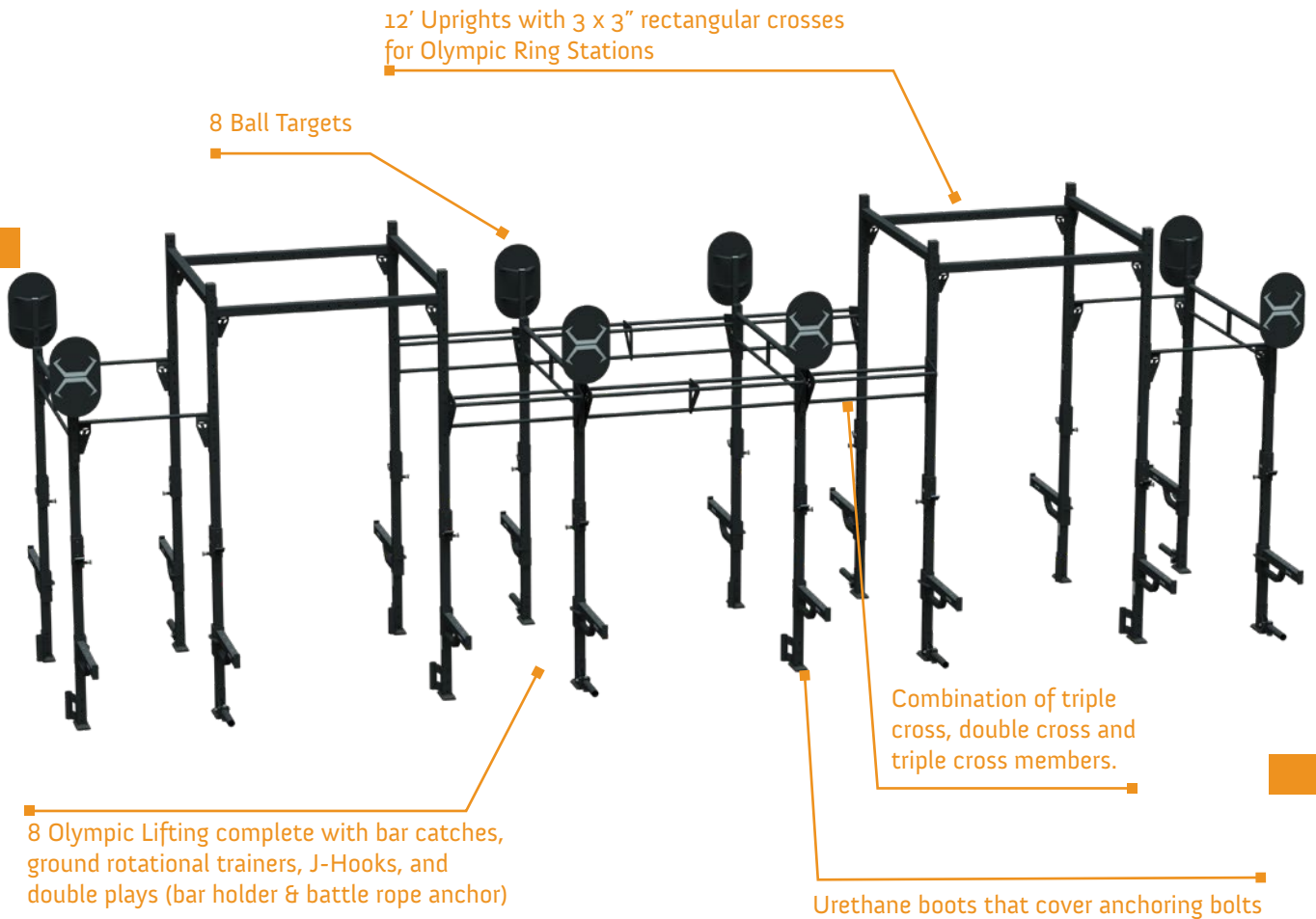
Note: X-Racks are required to be bolted to a concrete sub-floor





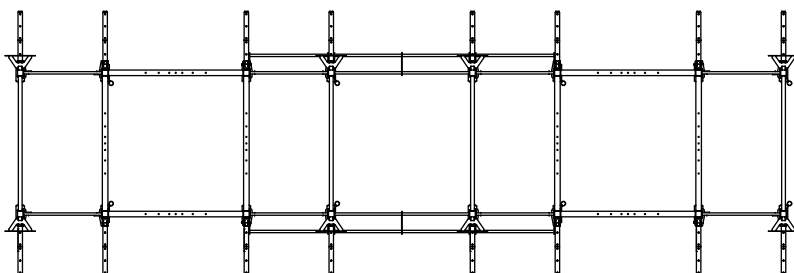
# 34 X 6 PULL-UP RIG

X1 PACKAGE



Model number	XRFS-6-34-X1
Footprint	404.9" x 83.4" (1028 cm x 212 cm)
Height	Frame: 142.8" (363 cm)
Minimum Required Live Area	39' x 15' (11.9 m x 4.6 m)
Warranty	10 year frame and welds/1 year parts/90 days misc.

### TOP VIEW



Note: X-Racks are required to be bolted to a concrete sub-floor





Comination Monkey Bar and Storage X-Rack



Bar Catches and Bar Storage

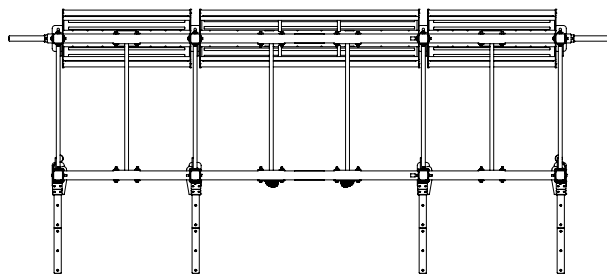
Combination of vertical and horizontal bumper plate storage.

70 FT (21.3 M) of horizontal storage space

Urethane boots that cover anchoring bolts

Model number	XRMB5-4-14-X1
Footprint	168.9" x 53.5" (429 cm x 136 cm)
Height	Frame: 107.1" (272 cm)
Minimum Required Live Area	19' x 12' (5.8 m x 3.7 m)
Upright Height Options	9 ft (XRACK-9U) Standard; Optional 8 ft (XRACK-8U)
Upright Color Options	Storm Grey, High Wear Red, Blue, Orange, and Platinum
Warranty	10 year frame and welds/1 year parts/90 days misc.

TOP VIEW



Note: X-Racks are required to be bolted to a concrete sub-floor

